

Product Introduction

This European standard touch switch panel features high-end glass and a sleek metal frame, offering a simple yet elegant design. Its easy-to-clean surface ensures it looks new, while sensitive touch technology and standard ZigBee 3.0 protocol allows for effortless control of your home lighting.

Features

- Advanced touch sensing technology
- Available in black/white with 1 to 4 relay channel options
- Universal voltage compatibility, wide application range
- Standard European specification
- Powerful ZigBee transceiving capability, with repeater function
- Supports Belahome APP and HyPanel control

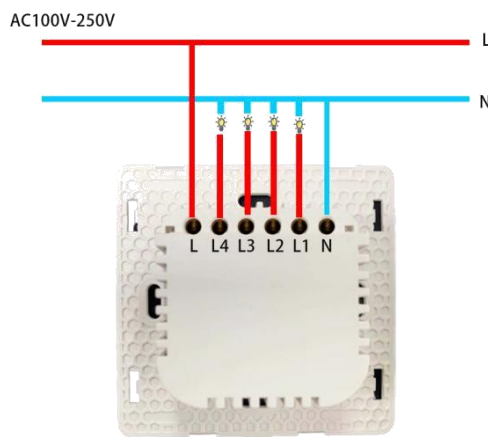


Specification

- Product Models: TYSH-Z2123/TYSH-Z2223
TYSH-Z2323/TYSH-Z2423/TYSH-Z2113
TYSH-Z2213/TYSH-Z2313/TYSH-Z2413
- Input Voltage: 100 ~ 250VAC, 50/60Hz
- Communication Method: ZigBee 3.0
- Working Temperature: -20 ~ 45 °C
- Working Humidity: 0 ~ 95% RH
(non-condensing)
- Protection Level: IP20
- Load Limits:
 - For 110VAC: Max 200W/Gang (Capacitive load)
Max 400W /Gang (Resistive load)
 - For 220VAC: Max 400W/Gang (Capacitive load)
Max 800W /Gang (Resistive load)
- Control Unit: 10A Relay
- Colors: White/Black
- Product Dimensions: 86.7×86.7×32 (mm)
- Cable Cross-sectional Range: 1.5-4mm²(recommended)
- Certification: CE

Touch Switch (EU Standard/ZigBee)

Wiring Diagram



Networking Method

1. Connect the power cable according to the wiring diagram to power the device.
2. Press and hold any button for about 10 seconds until the device indicator flashes quickly, indicating it has entered the network pairing mode.
3. Add the device to the network through a gateway device.

Product Dimension Diagram (mm)

