

New hassle-free smart control panel for your home

The akubela HyPanel Pro, a smart control panel with an Android 10 operating system. The ALL IN ONE design integrates smart intercom, ZigBee gateway and home automation, and is compatible with plentiful ecosystem. Minimalist exterior design, equipped with a 5-megapixel camera with privacy shutter, allowing users to enjoy a higher quality communication experience. Support infrared remote control function, intelligent control of traditional home appliances, to achieve a more outstanding smart home experience.

At a Glance

- 8-inch touchscreen
- 5-megapixel camera with a privacy shutter
- Metal frame with a decorative strip available in various colors and textures
- Built in with 2 channels dry contact, a digital input
- Built in with multiple sensors
- Support infrared remote control
- Android 10 OS powered by a high-performance Qualcomm chip
- Intercom, ZigBee gateway, and smart home control panel in one device



Basic Information

- Model Number: PG71-KNX-EU
- Power Supply: KNX 21 ~ 30VDC
AUX 21 ~ 30VDC
- Rated Current: 1.3A
- Rated Power: 15W
- I/O : 0~5VDC digital input x1
4A 100~240VAC/gang dry contact x2
- Operation System: Android 10
- RAM/ROM: 2GB/16GB
- Wi-Fi: IEEE802.11 b/g/n/ac, @2.4GHz/5GHz
- Bluetooth: Bluetooth 4.2
- Ethernet Port: 1×RJ45, 10/100Mbps adaptive
- ZigBee: ZigBee 3.0
- Infrared Remote Control: Support
- Microphone: Dual microphones, -38dBV
- Speaker: Single speaker, 6Ω/1.8W
- Camera: 5-megapixel camera with privacy shutter

Appearance

- Material: Metal
- Screen: 8" multi-touch screen, AF hydrophobic anti-pollution fingerprint proof coating
- Screen Resolution: 1280×800 pixels
- Screen Brightness: 310 cd/m²

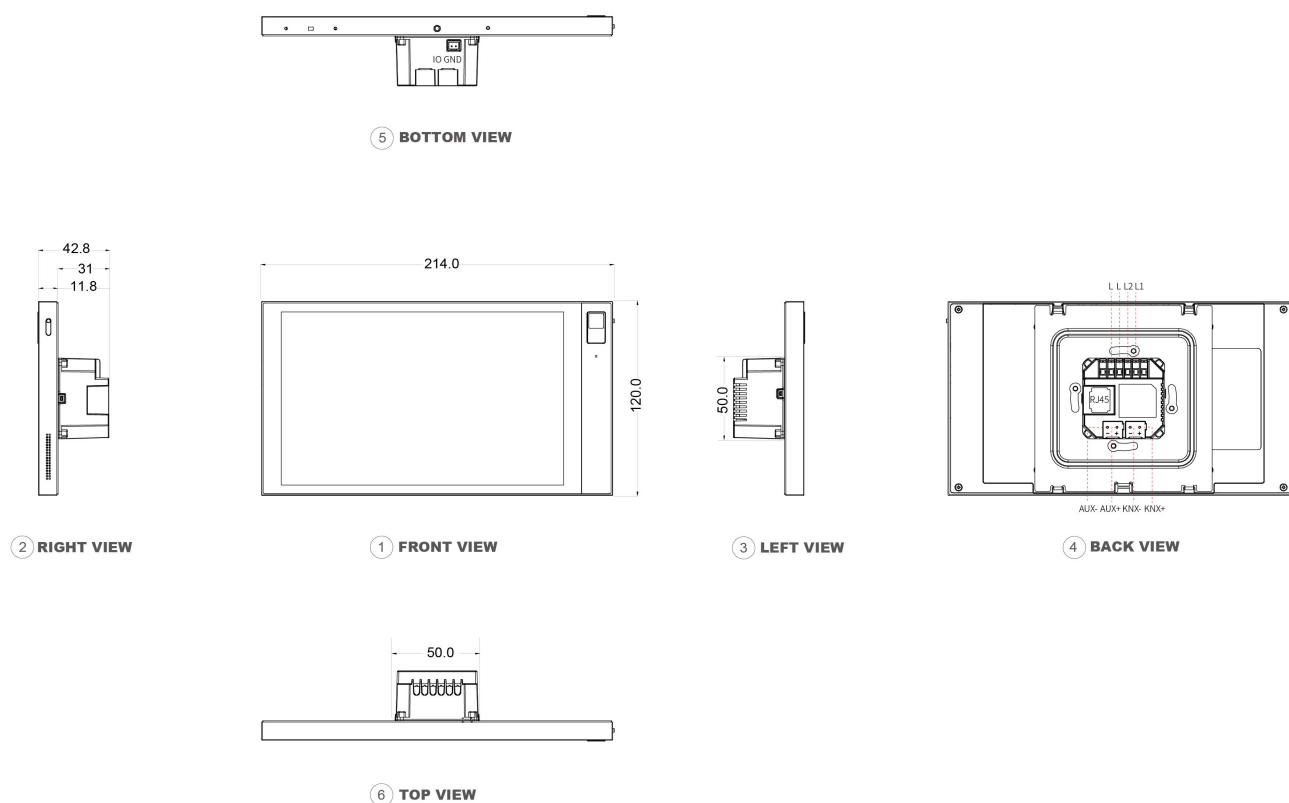
Sensors Built In

- Proximity Sensor: 30 ~ 60cm
- Light Sensor: Low-level lux detection
- Temperature Sensor: $\pm 1^{\circ}\text{C}$, range: $-10 \sim 50^{\circ}\text{C}$
- Humidity Sensor: $\pm 5\%$, range: 10 ~ 90%RH, without condensation

Working Environment

- Environment: For indoor use only
- Working Humidity: 10 ~ 90%RH, without condensation

Product Dimension Diagram (mm)



- Working Temperature: $-10 \sim 50^{\circ}\text{C}$
- Storage Temperature: $-20 \sim 70^{\circ}\text{C}$

Installation

- Installation: Wall flush mounting
- Flush Mounted Module: EU/UK standard

Application Scenario

- Villas
- Apartment complexes
- Home automation systems
- Modern interiors