

New hassle-free smart control panel for your home

The akubela HyPanel Ultra, a 10.36-inch smart home control center featuring a high-definition 2000 × 1200 resolution screen with ultra-slim bezels. Its minimalist metal exterior seamlessly integrates high-end aesthetics, delivering a visually stunning experience. Powered by Android 12, it supports various smart home control apps and achieves seamless integration between third-party apps and the original interface. It also boasts built-in sensors for temperature, humidity, proximity, light, enhancing data collection and analysis capabilities. It is designed to bring whole-house smart automation, providing an outstanding user experience.

At a Glance

- 10.36 inch touch screen with metal frame
- 2K(2000×1200) UHD display
- Built in with 2 channels dry contact, a digital input
- Multi networks supported: Wi-Fi 6, Bluetooth 5.0, ZigBee 3.0, etc.
- Built in with multiple sensors
- Android 12 OS
- Intercom, ZigBee gateway and smart home control panel in one device
- Compatible with various third-party devices and platforms



Basic Information

- Model Number: PH81-KNX-EU
- Power Supply: KNX 21 ~ 30VDC
AUX 21 ~ 30VDC
- Rated Current: 2A
- Rated power: 24W
- I/O: 0~5VDC digital input x1
4A 100~240VAC/gang dry contact x2
- Operation System: Android 12
- RAM/ROM: 4GB/32GB
- Wi-Fi: WiFi6, @2.4GHz/5GHz

- Bluetooth: Bluetooth 5.0
- Ethernet Port: 1xRJ45, 10/100Mbps adaptive
- ZigBee: ZigBee 3.0
- Microphone: Dual microphones
- Speaker: Dual speakers
- Product Dimension: 245×156×10mm

Appearance

- Material: Metal frame
- Screen: 10.36" multi-touch screen
- Screen Resolution: 2000×1200 pixels
- Screen Brightness: 360 cd/m²



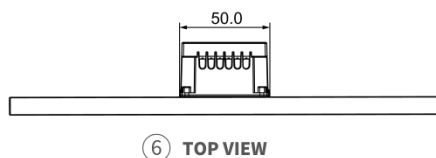
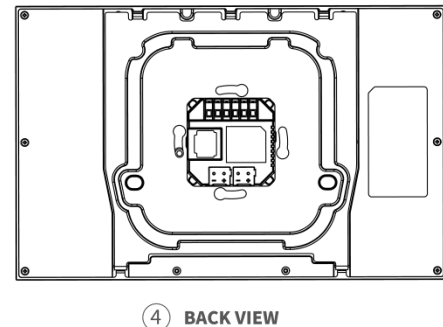
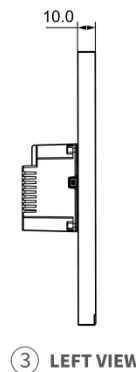
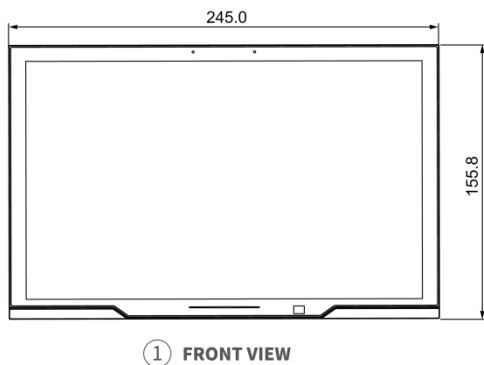
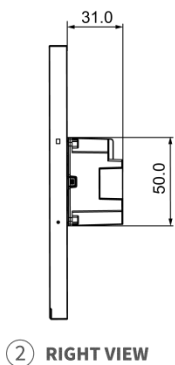
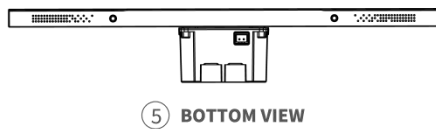
Sensors Built In

- Proximity Sensor: 30~60cm
- Light Sensor: Low-level lux detection
- Temperature Sensor: $\pm 1^{\circ}\text{C}$, range: $-10^{\circ}\text{C} \sim 50^{\circ}\text{C}$
- Humidity Sensor: $\pm 5\%$, range: 10%~90%RH, without condensation

Working Environment

- Environment: For indoor use only
- Working Humidity: 10%~90%RH, without condensation

Product Dimension Diagram (mm)



- Working Temperature: $-10^{\circ}\text{C} \sim 50^{\circ}\text{C}$
- Storage Temperature: $-20^{\circ}\text{C} \sim 70^{\circ}\text{C}$

Installation

- Installation: Wall flush mounting
- Flush Mounted Module: EU/UK standard

Application Scenario

- Villas
- Apartment complexes
- Home automation systems
- Modern interiors